

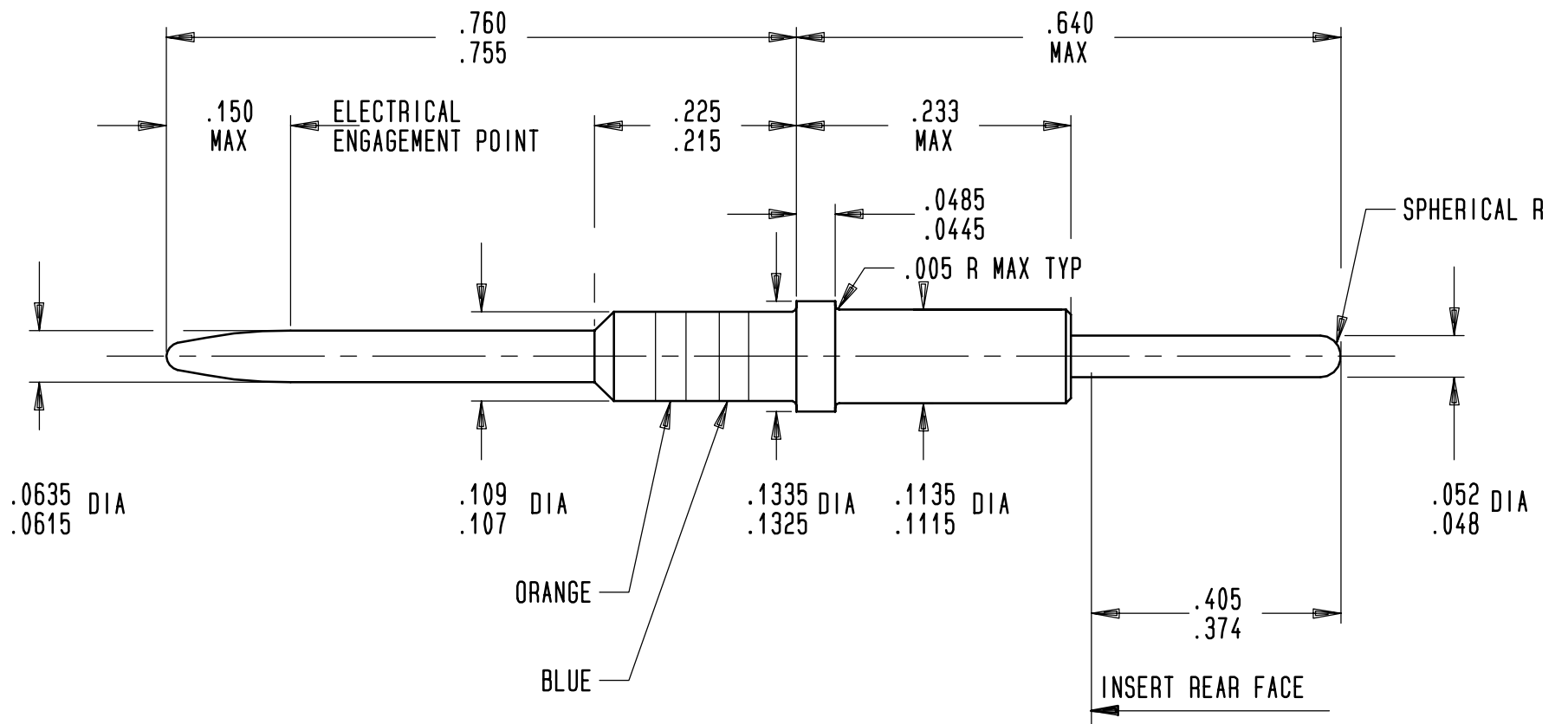


Series
NSX

SIZE 16 FRONT RELEASE. FRONT REMOVABLE P.C. POST PIN CONTACT

Issue:
26/04/92

Page
1 / 1



MATERIAL AND FINISH
BRASS_ GOLD OVER NICKEL UNDERPLATE

INSERTION / EXTRACTION TOOL :282 504

This information is given as an indication. In the continual goal to improve our products, we reserve the right to make any modifications judged necessary.

4112_9311

CREATION				
PEN:				
NOM: JP MACARI				
DATE: 26/04/92	16/01/96	REDRAWN	K.PECHEUX	
APPR.:	Issue	Revisions	Name	Approved